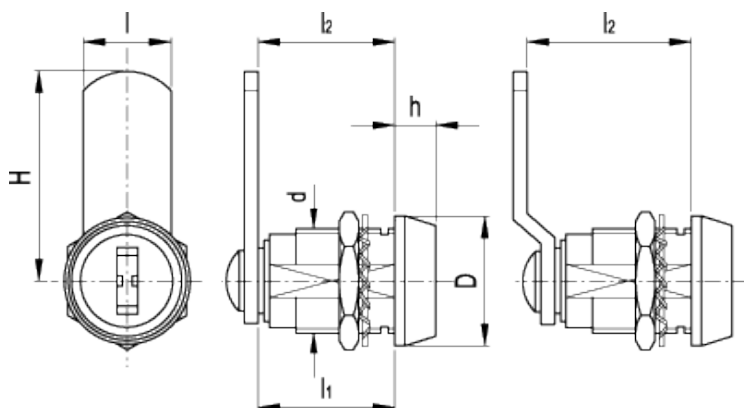


CX.

Latches with safety lock



technical informations

Lock

With opposing blades and double track key with internal profile.

Stator

Glossy chrome-plated zinc alloy.

Rotor

Chrome-plated zinc alloy with drill-proof hardened steel plate and stainless steel front plate.

Nut

Brass (M19x1).

Spring washer

Zinc-plated steel.

Closing lever

Zinc-plated steel, thickness 2.5 mm.

Screw

Zinc-plated steel (M5x5).

Two reversible keys

Nickel-plated brass, removable in two positions at 180°.

Rotation

180°.

IP protection

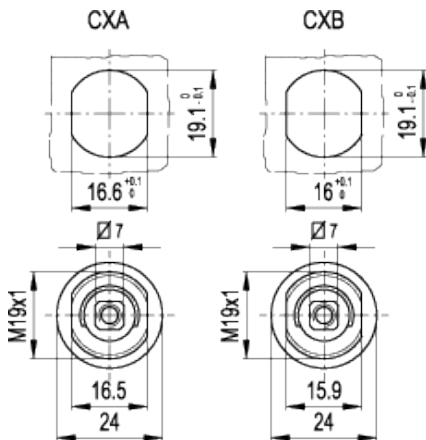
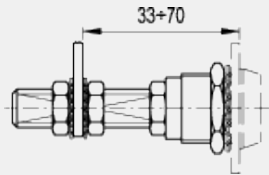
IP 65 protection class, according to [IEC 529 table](#).

Standard executions available

- CX.: lock with 15,660 different combinations. Each lock has a key with different combination.
- CXU.: lock with one combination. All locks have a key with the same combination.

Special executions and accessories (For sufficient quantities)

- Closing levers in other dimensions.
- Brass threaded extension for prolonged positioning of the lever (code 421137 description C.PQ M5/58).



Standard Elements		Main dimensions							Weight
Code	Description	H	l ₂	D	d	h	l	l ₁	g
421611	CXA.32-23	32	22.5	24	M19x1	7	16	22.5	60
421613	CXAU.32-23	32	22.5	24	M19x1	7	16	22.5	60
421615	CXA.36-28	35.5	27.5	24	M19x1	7	16	22.5	62
421617	CXAU.36-28	35.5	27.5	24	M19x1	7	16	22.5	62
421619	CXB.32-23	32	22.5	24	M19x1	7	16	22.5	60
421621	CXBU.32-23	32	22.5	24	M19x1	7	16	22.5	60

421623	CXB.36-28	35.5	27.5	24	M19x1	7	16	22.5	62
421625	CXBU.36-28	35.5	27.5	24	M19x1	7	16	22.5	62



ELESA and GANTER models all rights reserved in accordance with the law. Always mention the source when reproducing our drawings.

STANDARD MACHINE ELEMENTS WORLDWIDE